

**SCHÜCO AWS 70.HI
ALUMINIUM WINDOW**

TITLE

ELEVATION DRAWING

DRAWING No.

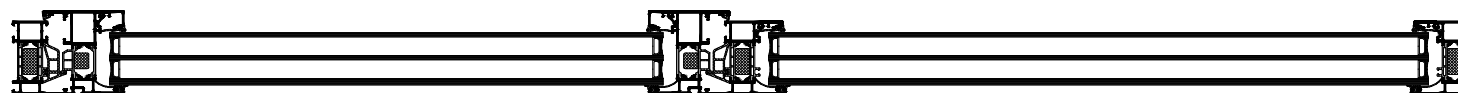
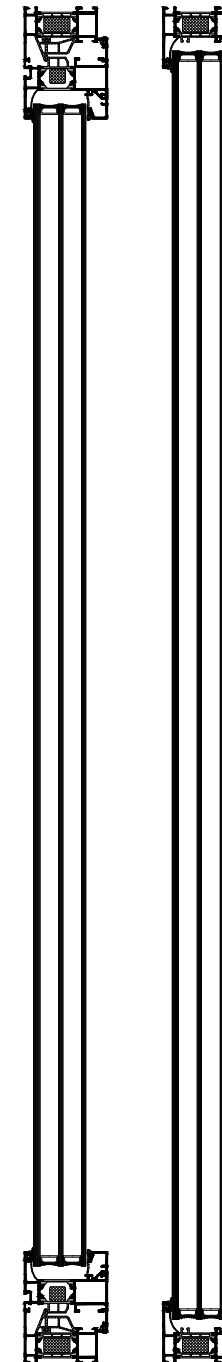
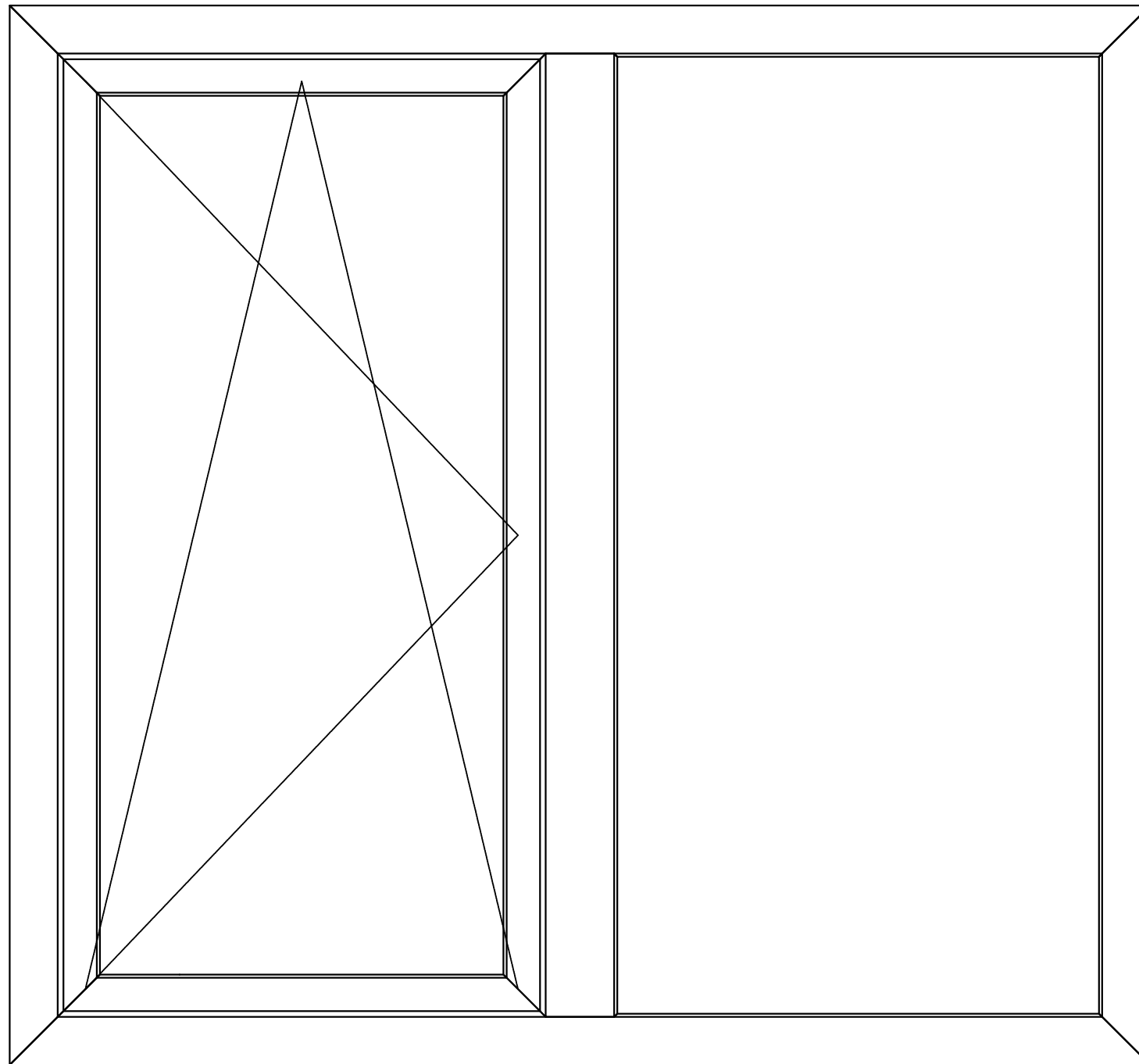
S-A-AWS70/01

DATE

2022/04/12

SCALE

CONSTRUCTION DETAILS



Material	Thermally broken aluminium system
Mechanism	Inward opening sashes operated on multiple turning mechanism with dual opening action, which allows ventilation and easy cleaning from the inside
Weatherseal	The window is fully weather sealed and tested to EN standards
Glass	The window is dry glazed with EPDM and can take dual or triple sealed units up to 62mm thickness
Thermal Performance	Uf-value down to 1.5 W/m2K depending on the frame/vent combination and the glass thickness
Fittings	Dual action fastener to each operable sash with options in colour and finish
Factory Finishing	Polyester powder coated available in single or dual colour



FENSTER UAB
 Fermentu 4-1, LT-02244,
 Vilnius, Lithuania
 Phone.: + 370 5 206 0987
 Mob.: +370 682 01711
 Fax.: +370 5 206 0986
 E-mail: info@zylefenster.com
 www.zylefenster.com

PRODUCT TYPE

SCHÜCO AWS 70.HI ALUMINIUM WINDOW

TITLE

TYPICAL SECTIONS

DRAWING No.

S-A-AWS70/02

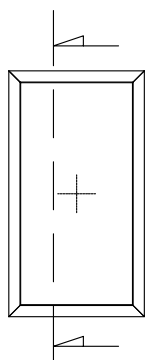
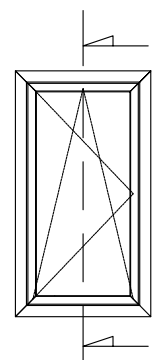
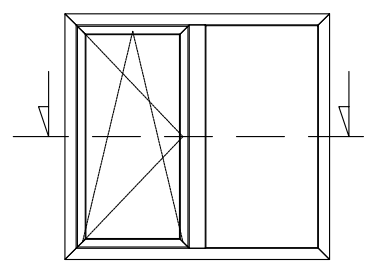
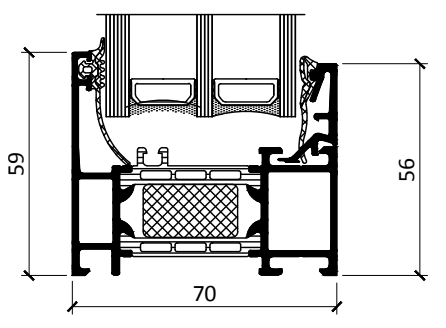
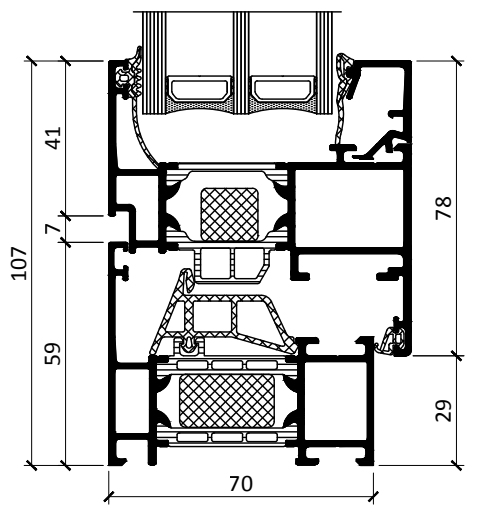
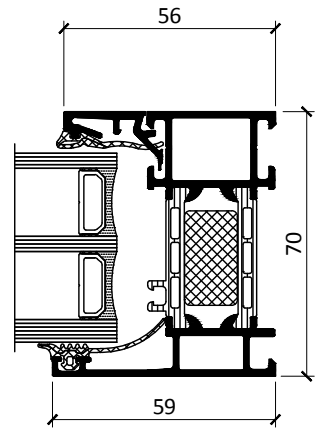
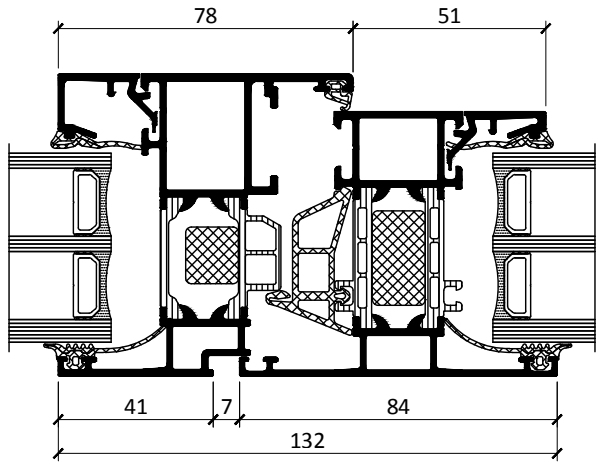
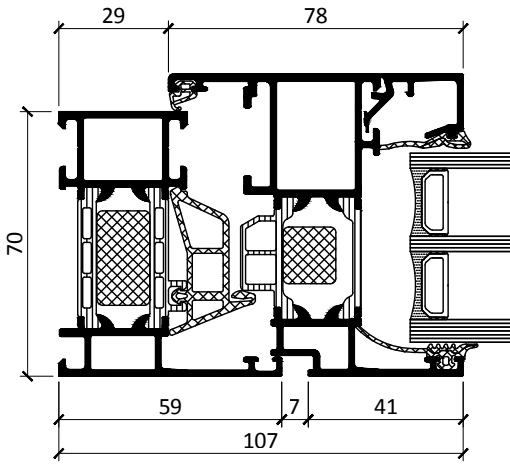
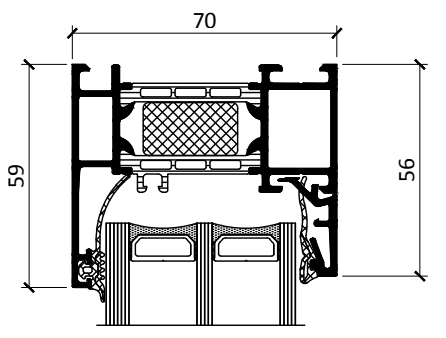
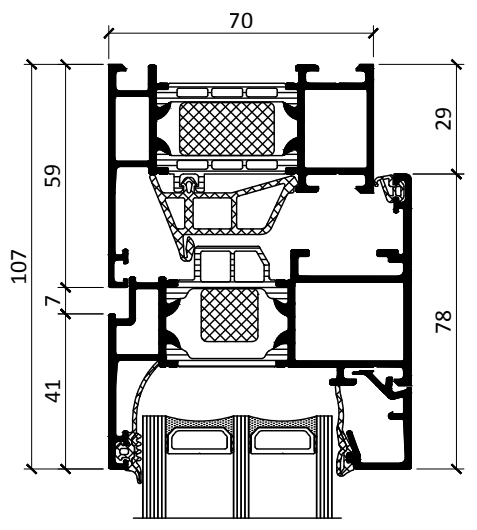
DATE

2022/04/12

SCALE

1:2 @ A3

CONSTRUCTION DETAILS



FENSTER UAB
 Fermentu 4-1, LT-02244,
 Vilnius, Lithuania
 Phone.: + 370 5 206 0987
 Mob.: +370 682 01711
 Fax.: +370 5 206 0986
 E-mail: info@zylefenster.com
 www.zylefenster.com