

**REYNAERS MasterPatio
SLIDING
ALUMINIUM DOOR**

TITLE

ELEVATION DRAWING

DRAWING No.

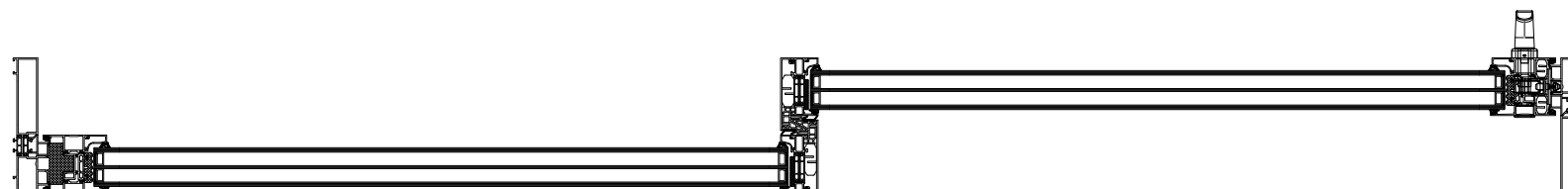
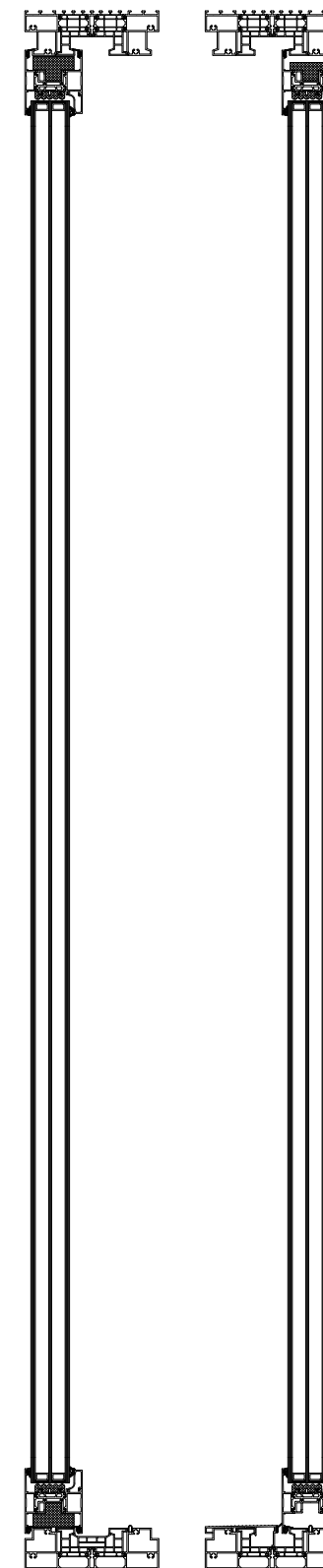
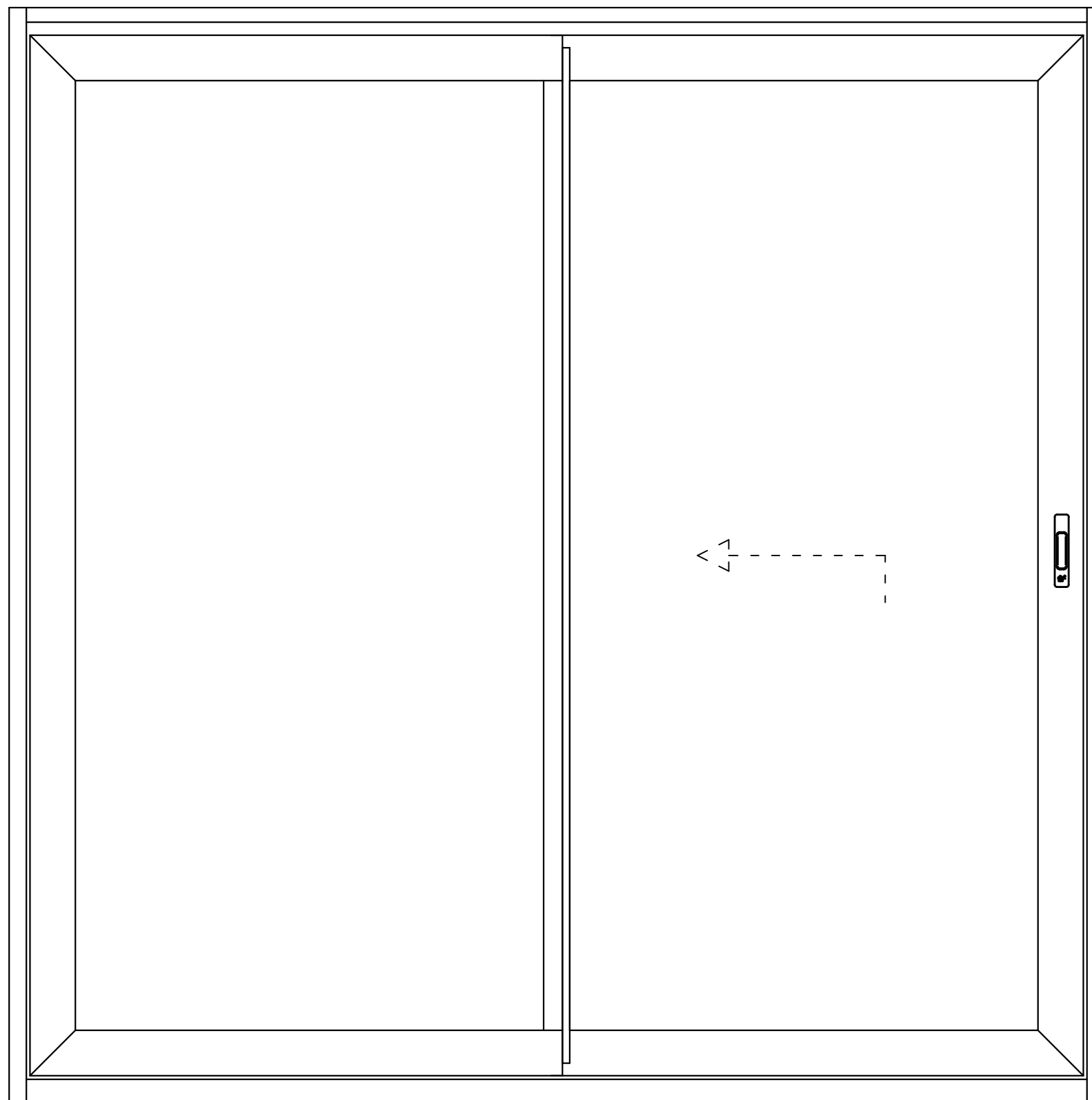
R-A-MP/01

DATE

2022/04/12

SCALE

CONSTRUCTION DETAILS

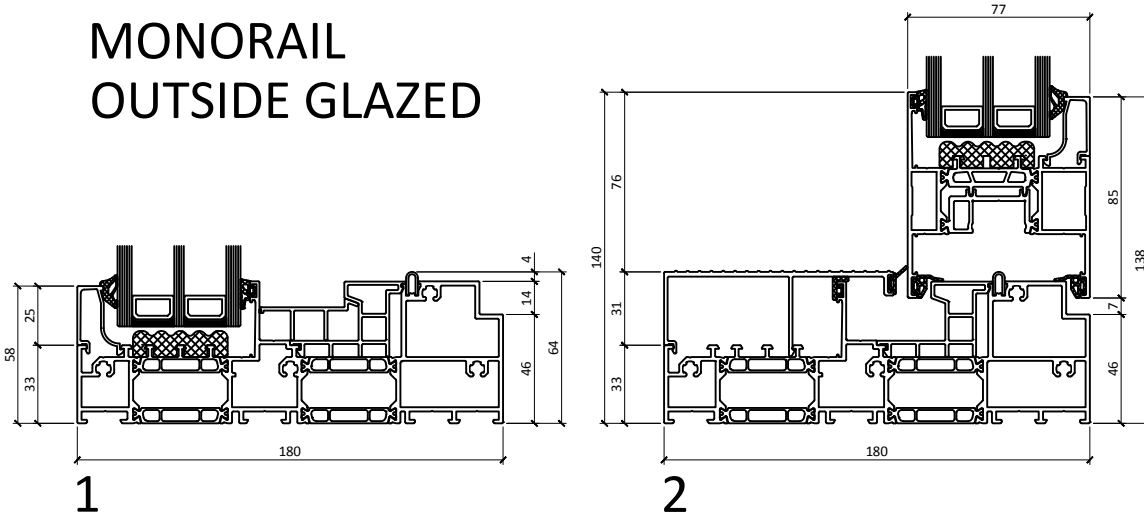


| | |
|---------------------|--|
| Material | Thermally broken high-insulating aluminium system |
| Mechanism | Sash is lifted with the comfort gear and slides the bottom rail with the help of wheels, which can carry up to 400kg sash weight |
| Weatherseal | The door is fully weather sealed and tested to EN standards, achieving up to 1200 Pa of watertightness |
| Glass | The door is dry glazed with EPDM and can take dual or triple sealed units up to 62mm thickness |
| Thermal Performance | Uw-value down to 0.8 W/m²K, depending on the frame/vent combination |
| Fittings | Lift and Slide door handle coordinated with the sash weight and hardware, recessed pull handle externally with options in colour and finish. Locking cylinder is an option |
| Factory Finishing | Polyester powder coated available in single or dual colour |

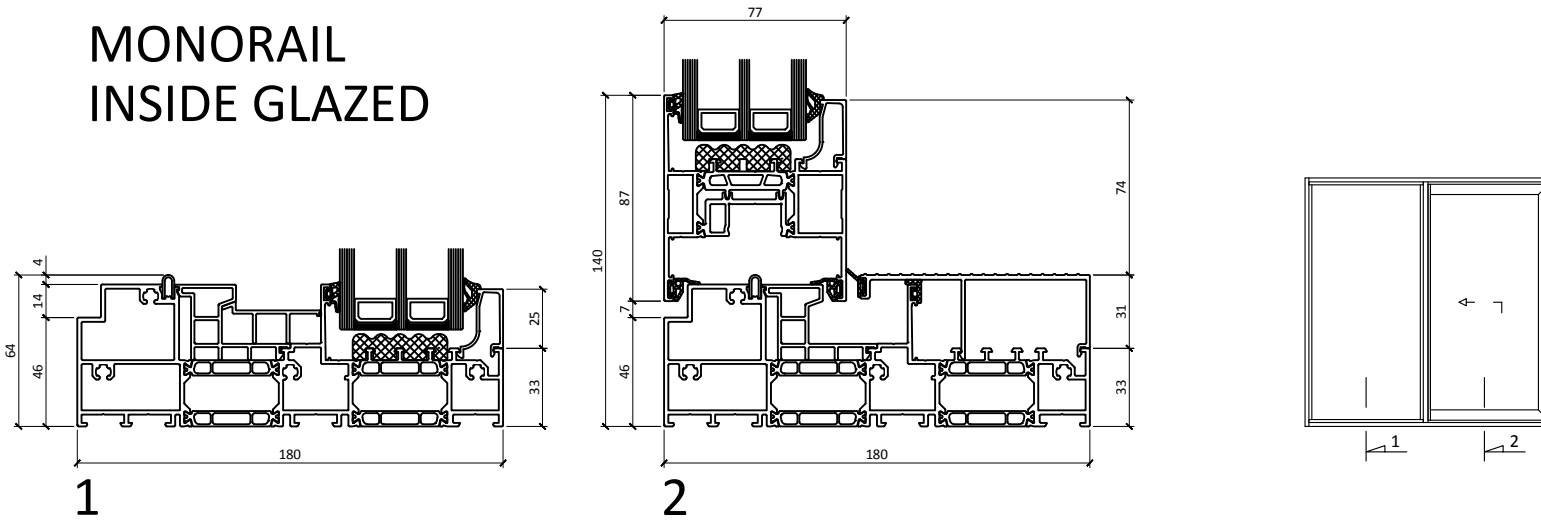


FENSTER UAB
 Fermentu 4-1, LT-02244,
 Vilnius, Lithuania
 Phone.: + 370 5 206 0987
 Mob.: +370 682 01711
 Fax.: +370 5 206 0986
 E-mail: info@zylefenster.com
 www.zylefenster.com

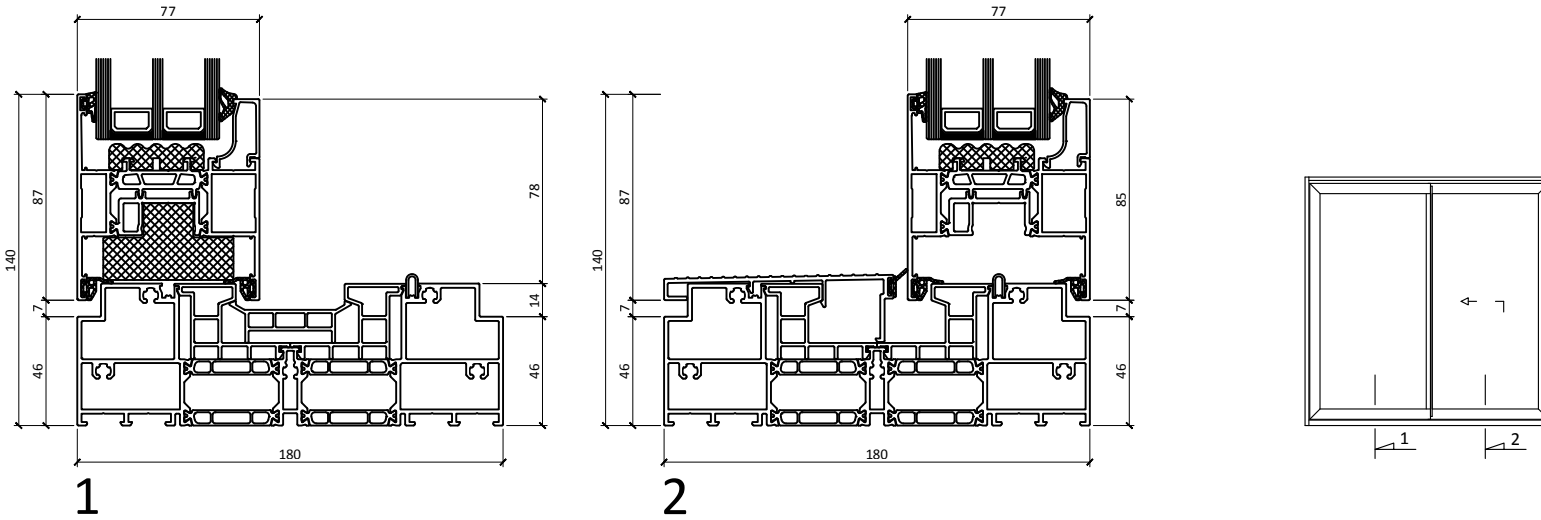
**MONORAIL
 OUTSIDE GLAZED**



**MONORAIL
 INSIDE GLAZED**

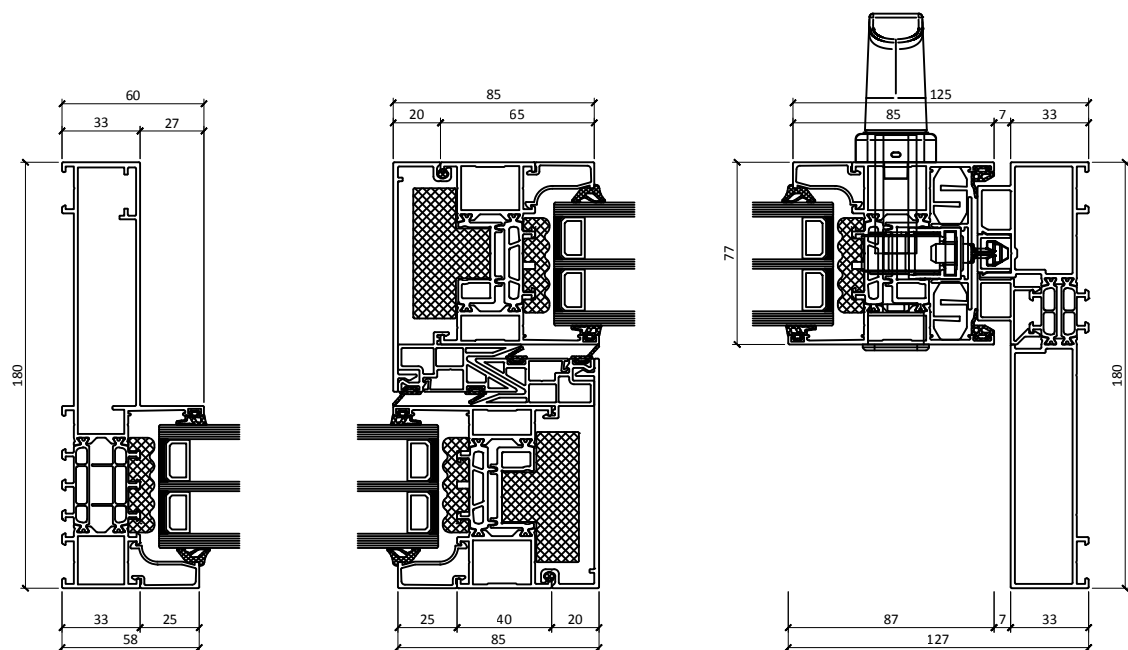


2-RAIL

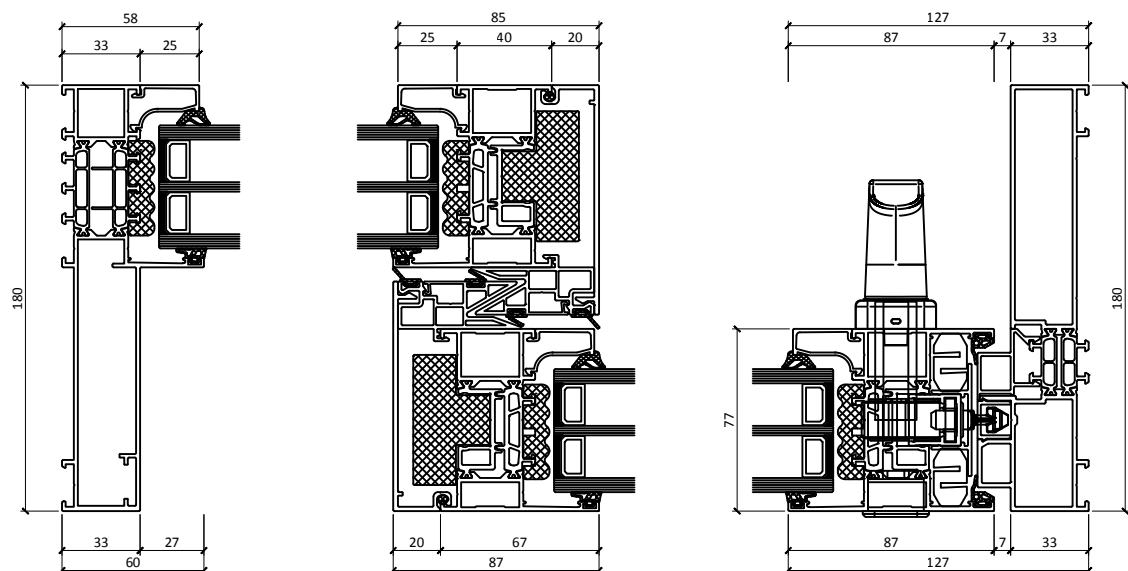


FENSTER UAB
 Fermentu 4-1, LT-02244,
 Vilnius, Lithuania
 Phone.: + 370 5 206 0987
 Mob.: +370 682 01711
 Fax.: +370 5 206 0986
 E-mail: info@zylefenster.com
 www.zylefenster.com

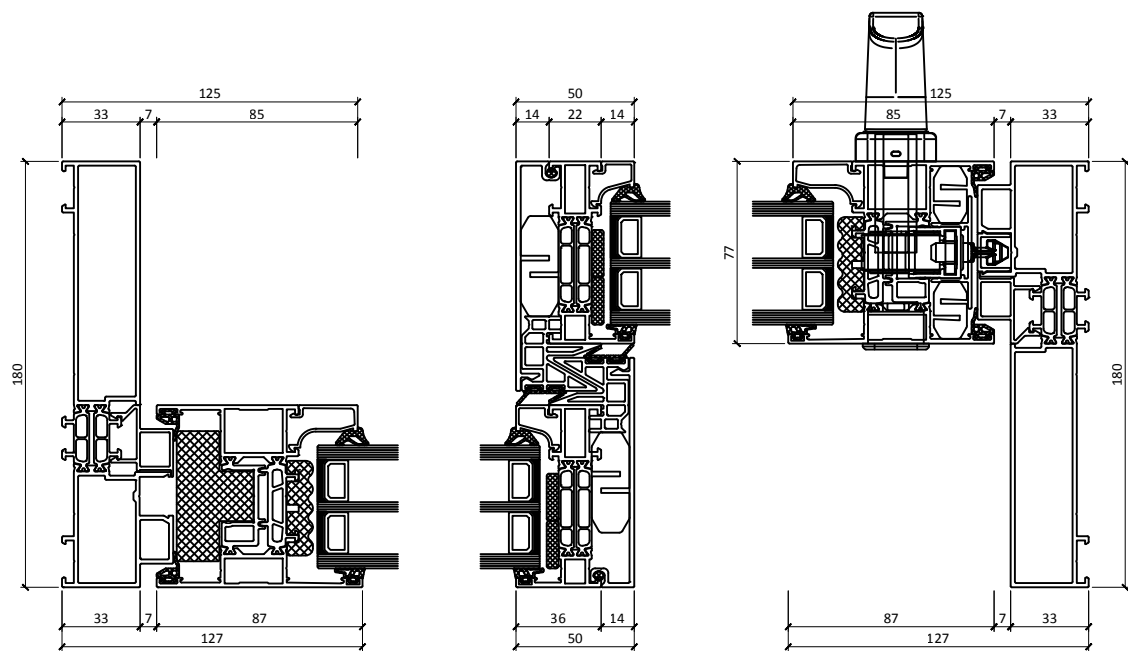
MONORAIL
OUTSIDE GLAZED



MONORAIL
INSIDE GLAZED



2-RAIL
(SLIM CHICANE)



PRODUCT TYPE
**REYNAERS MasterPatio
SLIDING
ALUMINIUM DOOR**

TITLE
PLAN VIEW

DRAWING No.
R-A-MP/03

DATE
2022/04/12

SCALE

CONSTRUCTION DETAILS

zyle
fenster

FENSTER UAB
Fermentu 4-1, LT-02244,
Vilnius, Lithuania
Phone.: + 370 5 206 0987
Mob.: +370 682 01711
Fax.: +370 5 206 0986
E-mail: info@zylefenster.com
www.zylefenster.com