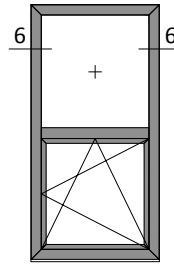
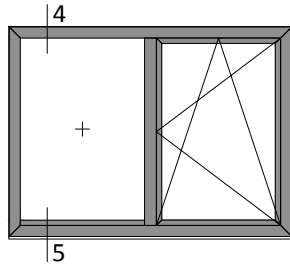
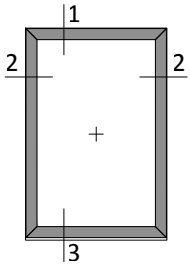


ENERGY		
Thermal Insulation EN ISO 10077-1	<b>92 EUROPA PASSIVE</b>	
	U <sub>w</sub> value 0.79 W/m <sup>2</sup> K	U <sub>g</sub> value 0.70 W/m <sup>2</sup> K

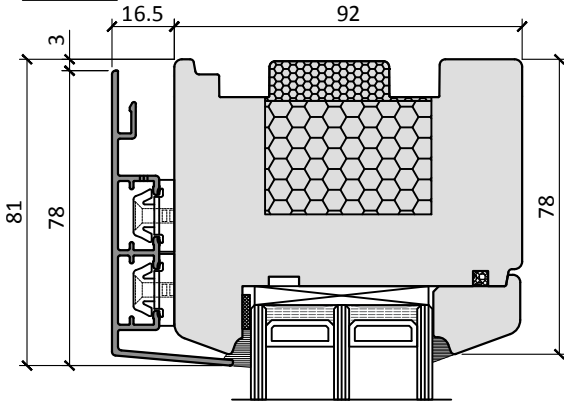
If different glazing is used, window U values decreases:

	U <sub>w</sub> value 0.75 W/m <sup>2</sup> K	U <sub>g</sub> value 0.64 W/m <sup>2</sup> K
	U <sub>w</sub> value 0.71 W/m <sup>2</sup> K	U <sub>g</sub> value 0.58 W/m <sup>2</sup> K
	U <sub>w</sub> value 0.66 W/m <sup>2</sup> K	U <sub>g</sub> value 0.50 W/m <sup>2</sup> K

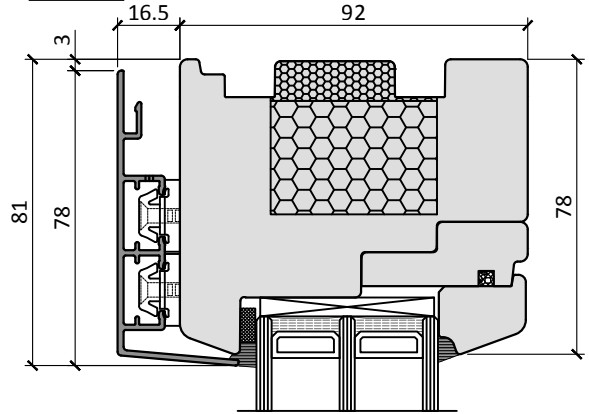
Note. Calculation based on window size 1.23m wide x 1.48m high.



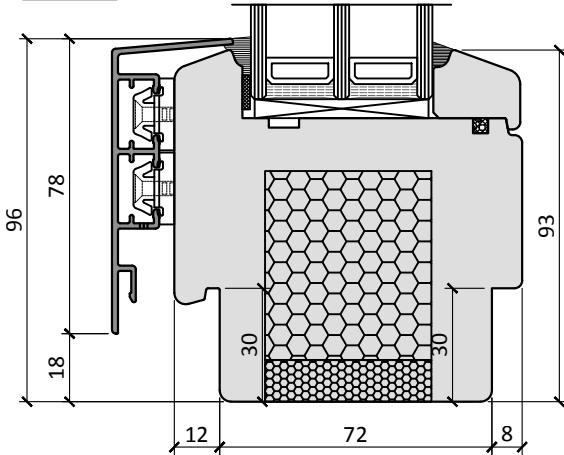
B92-1



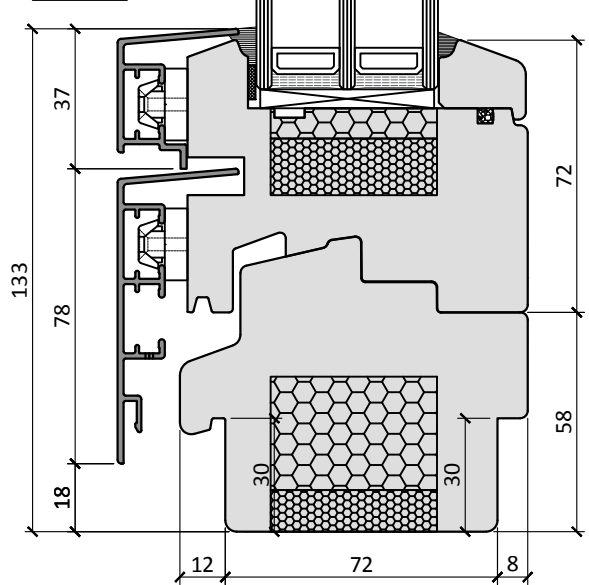
B92-4



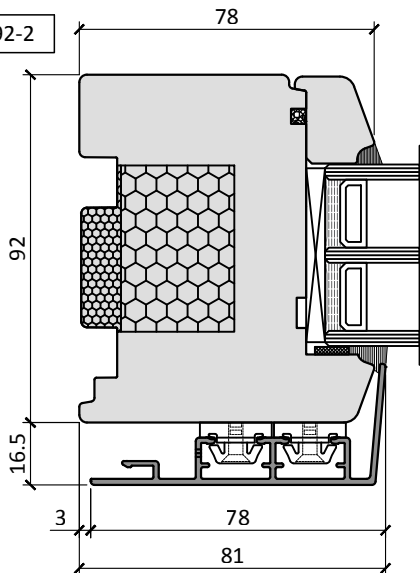
B92-3



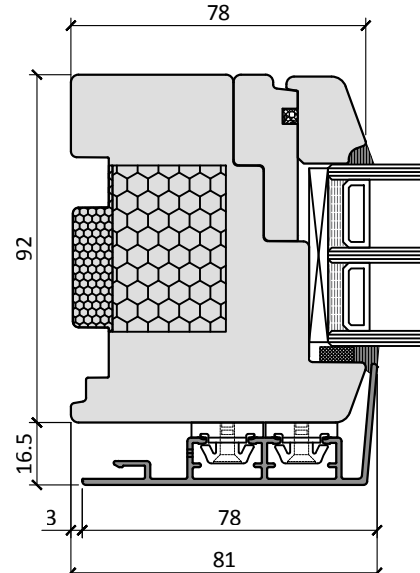
B92-5



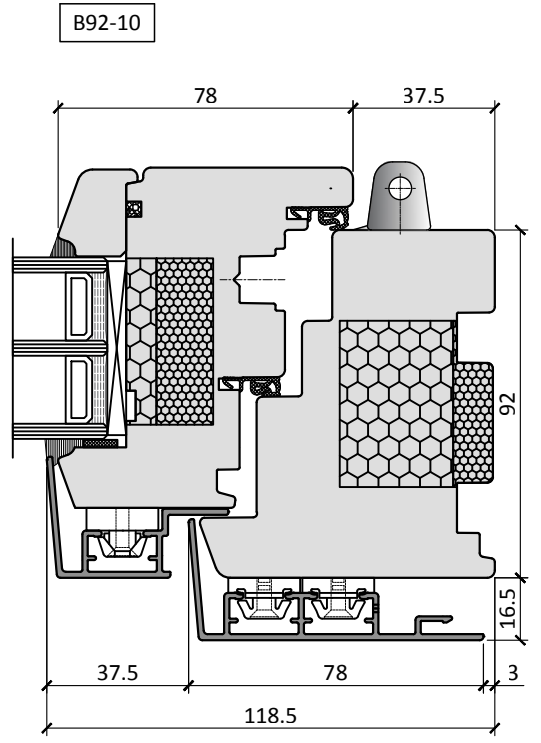
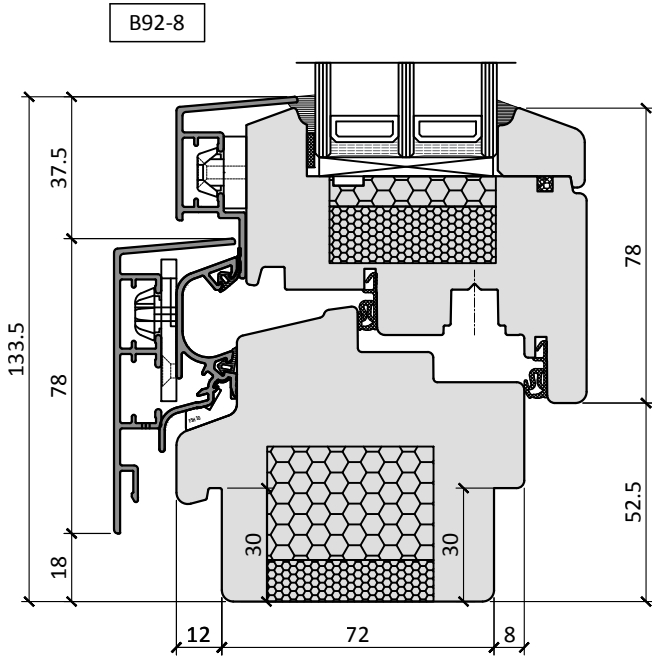
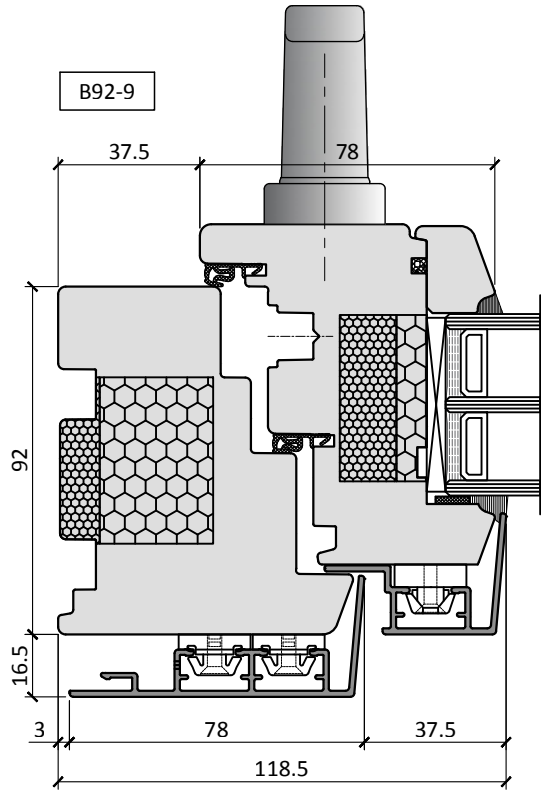
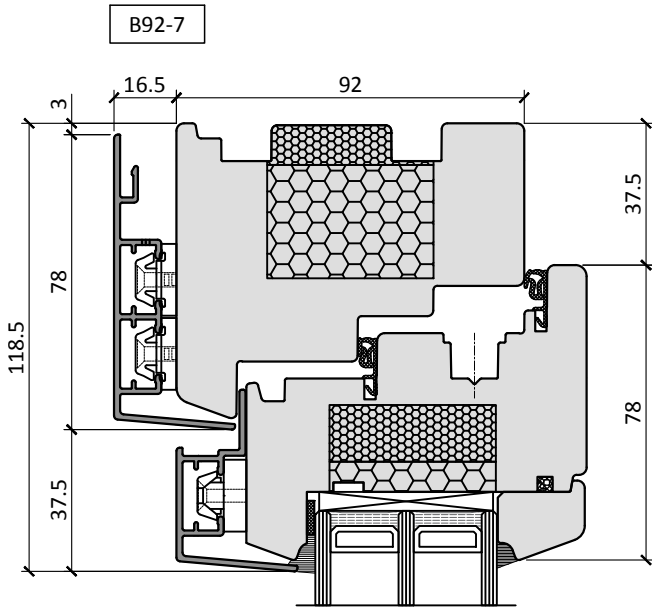
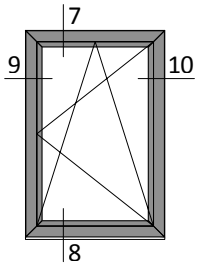
B92-2

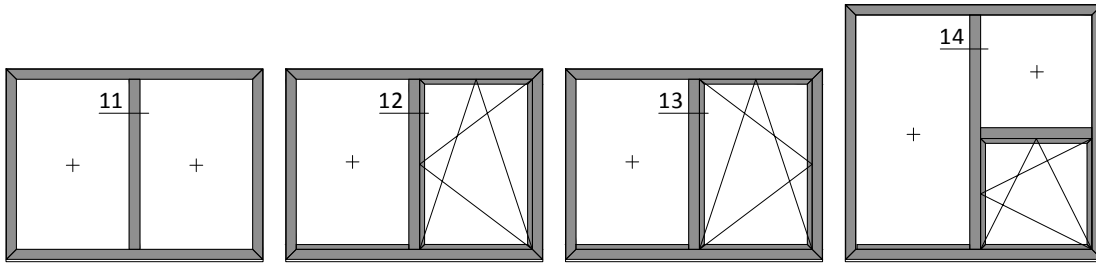


B92-6

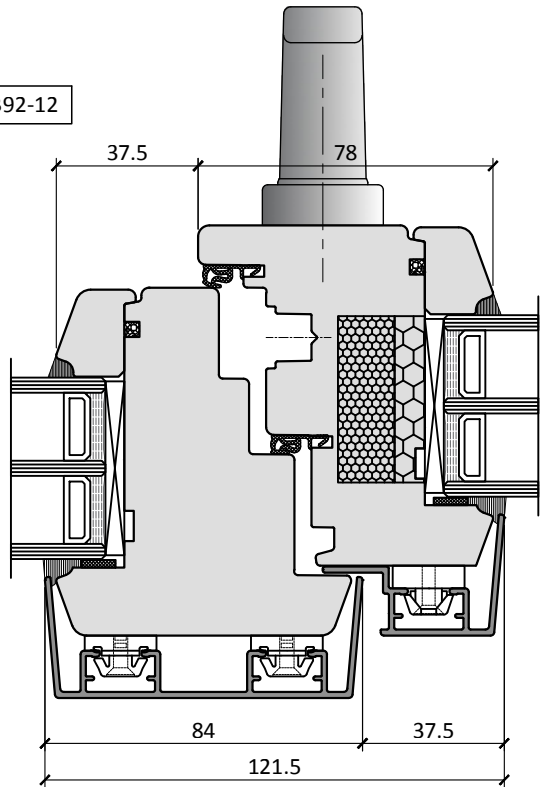


Scale 1:2

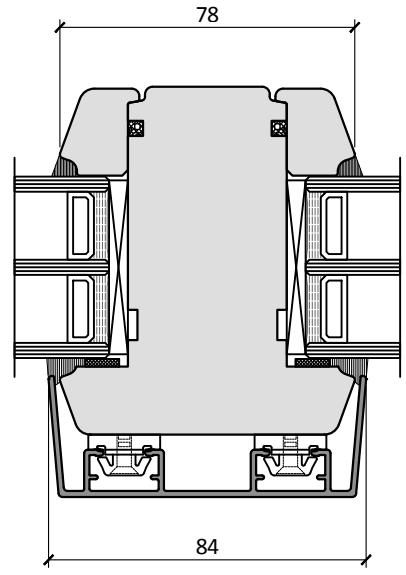




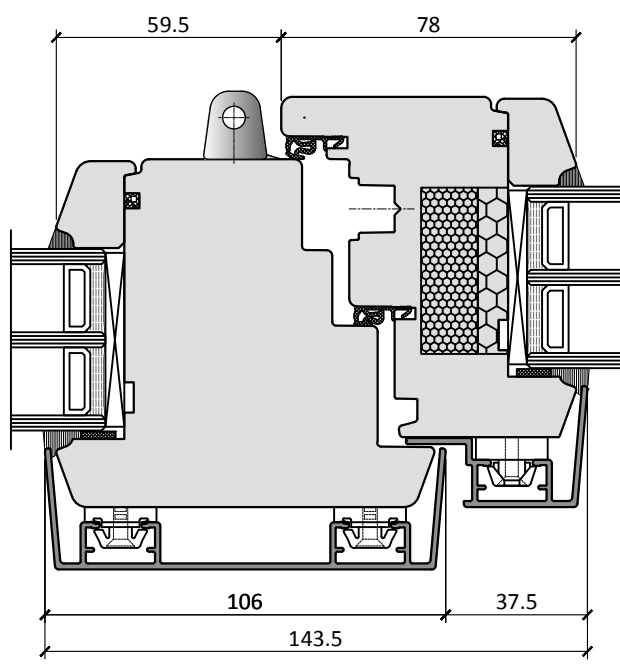
B92-12



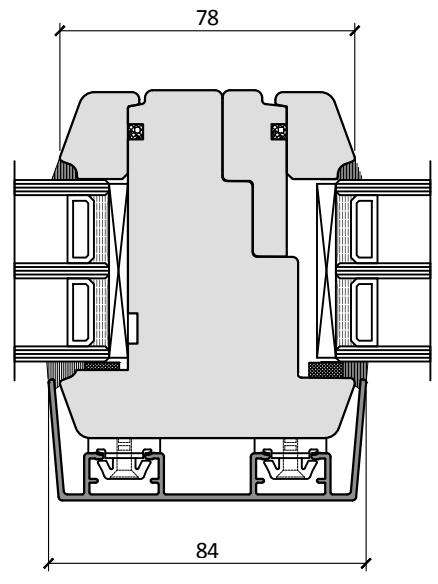
B92-11

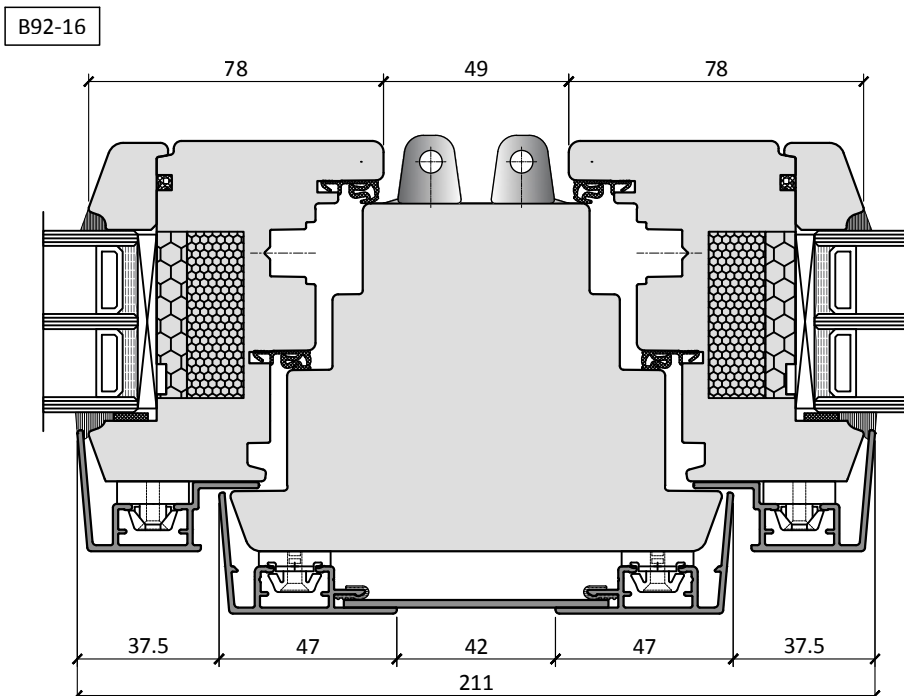
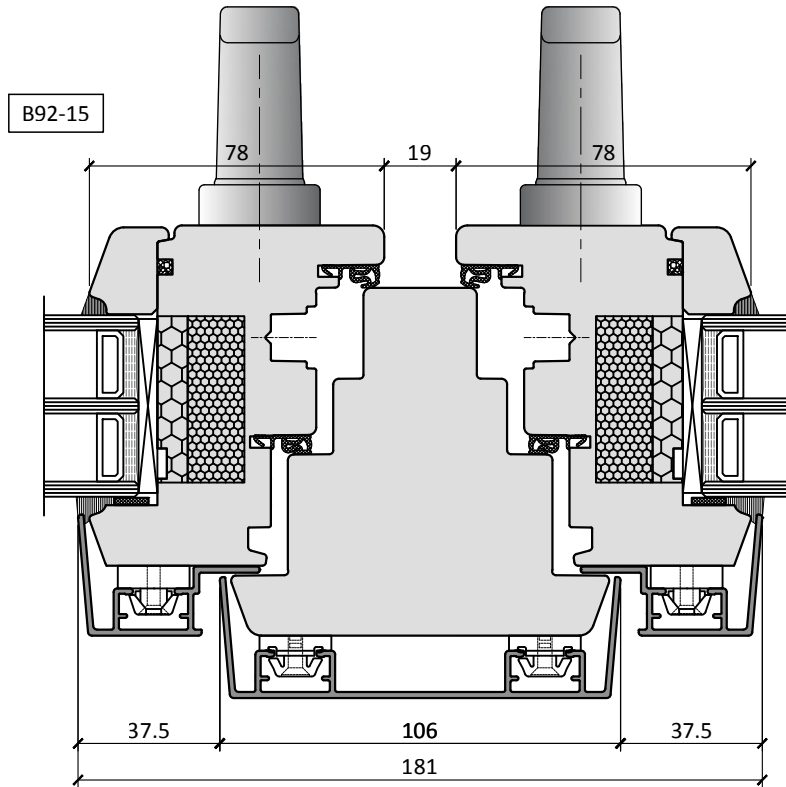
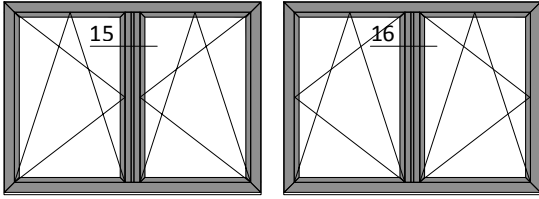


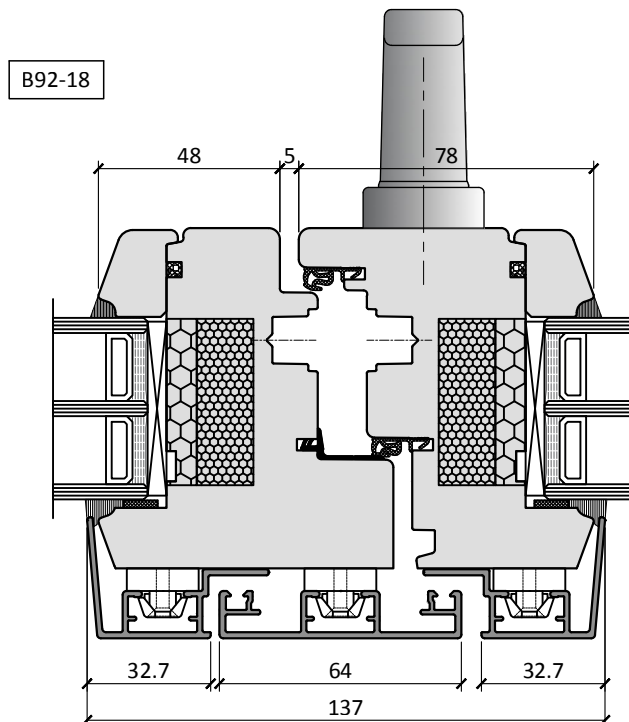
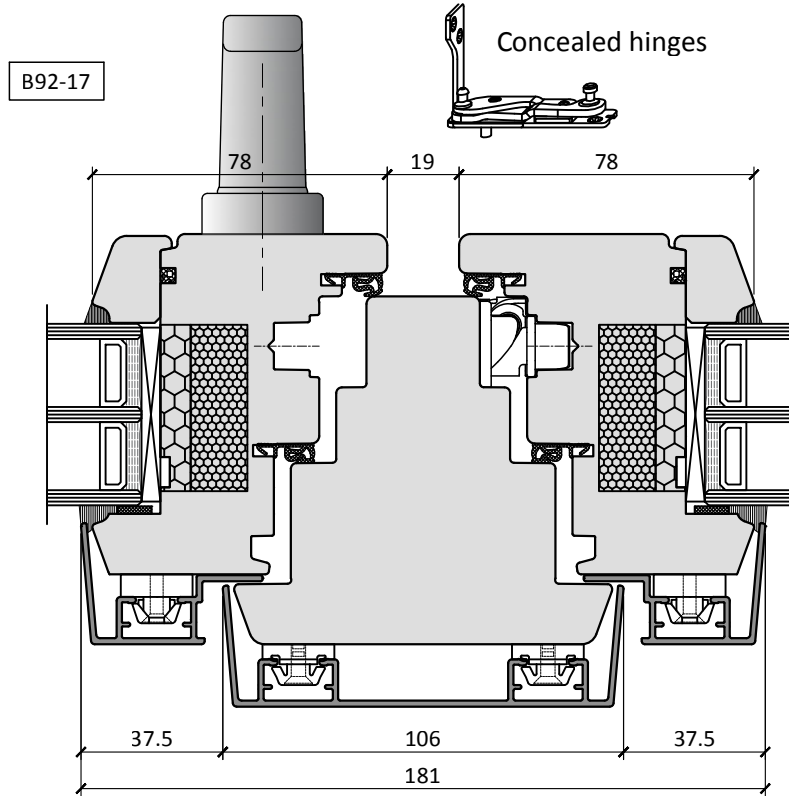
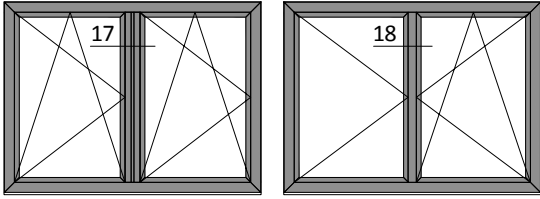
B92-13



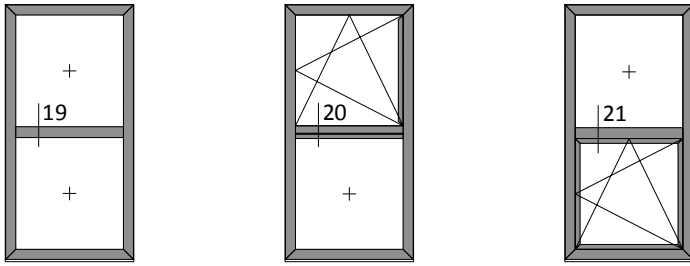
B92-14



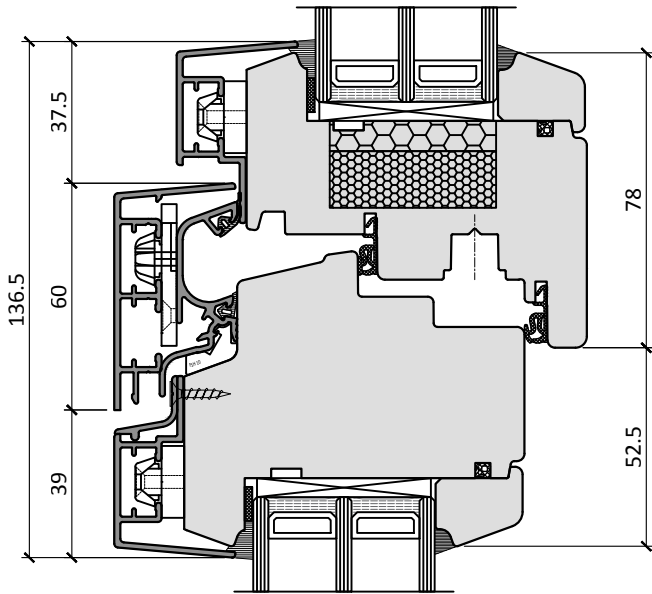




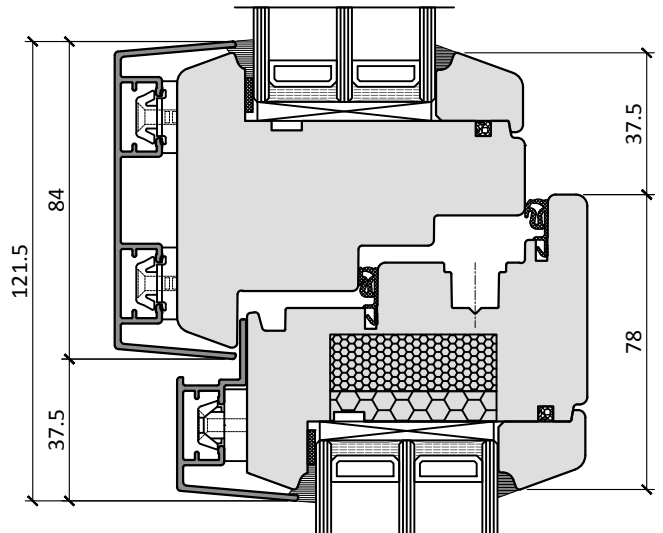
V92



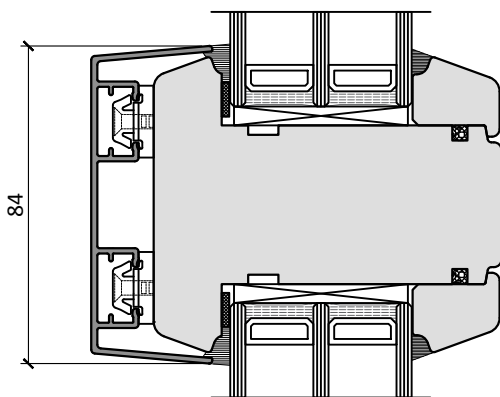
B92-20



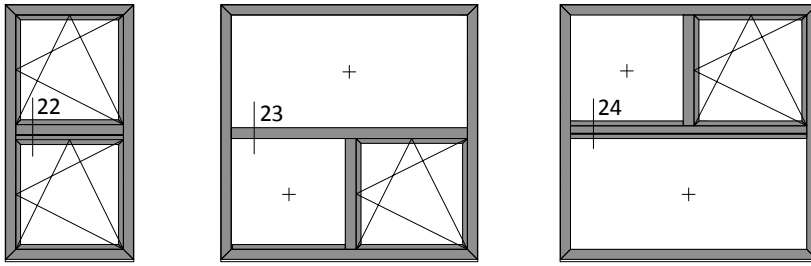
B92-21



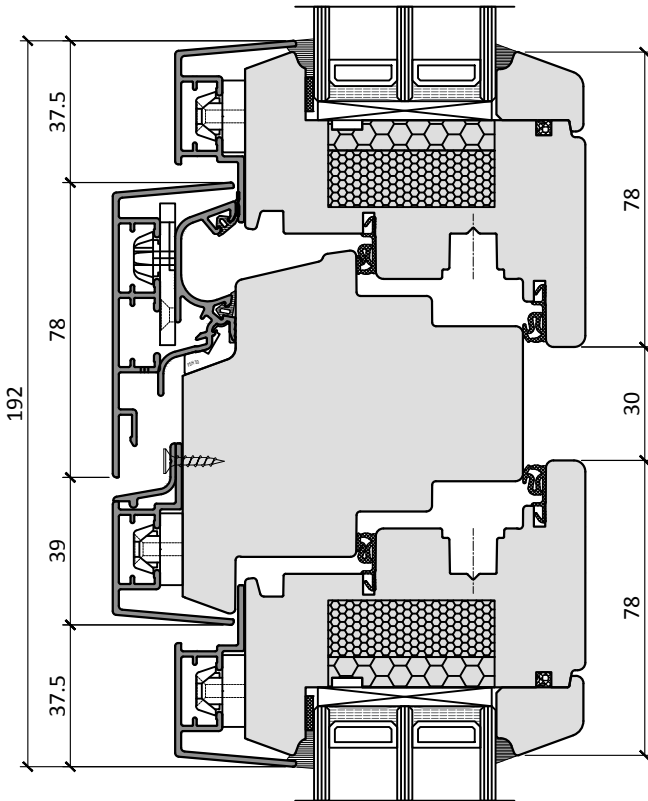
B92-19



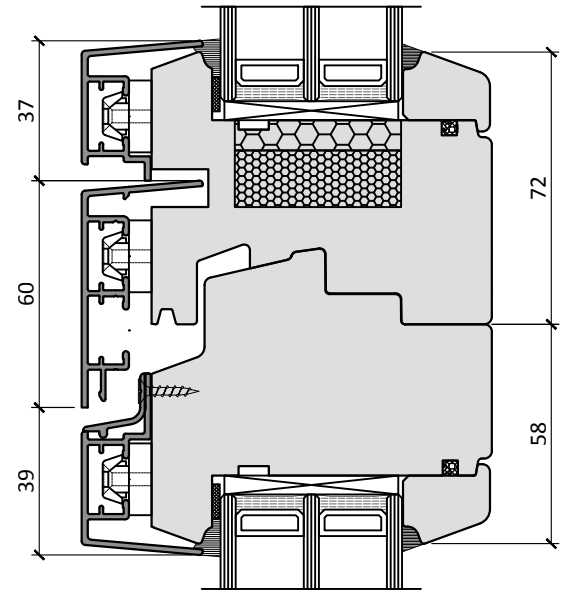
V92



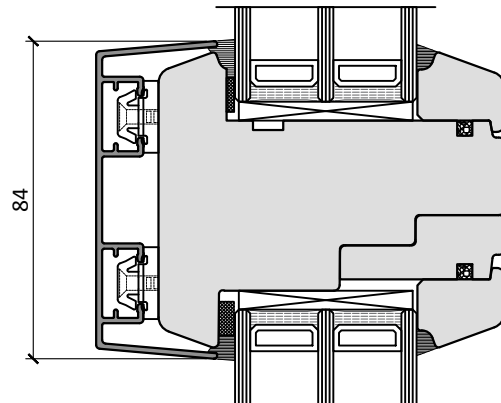
B92-22



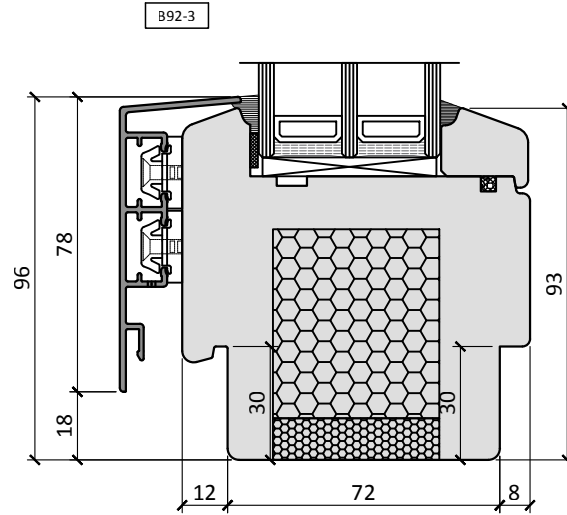
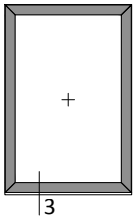
B92-24



B92-23

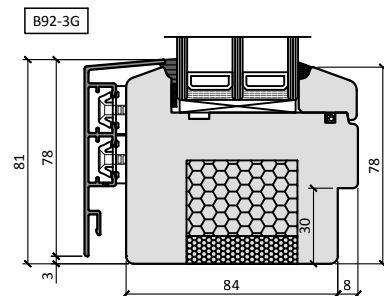
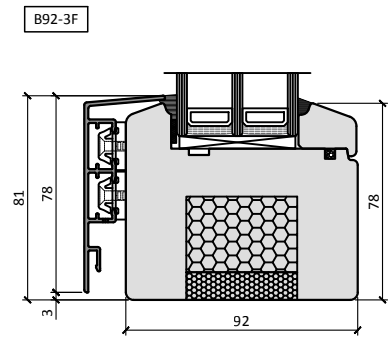
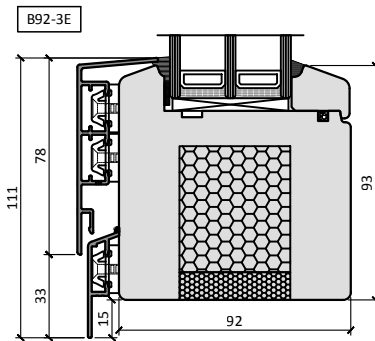
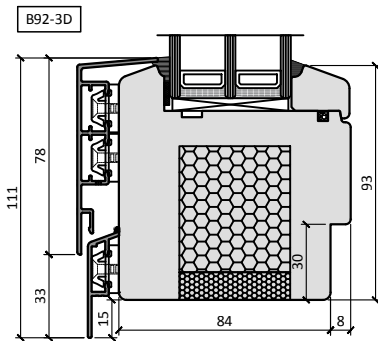
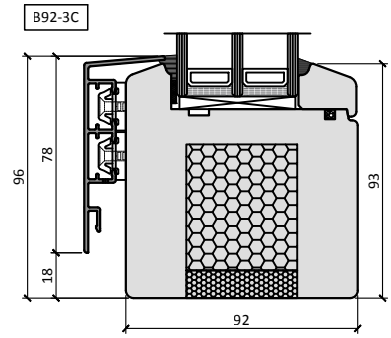
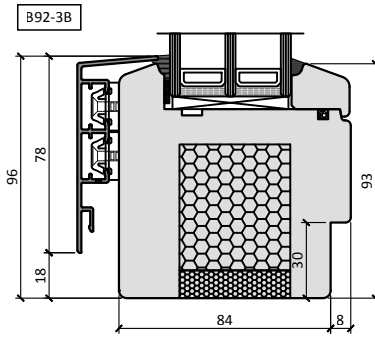
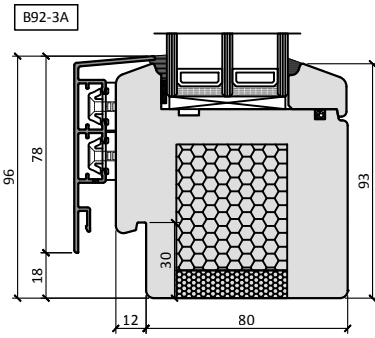


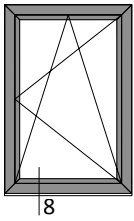




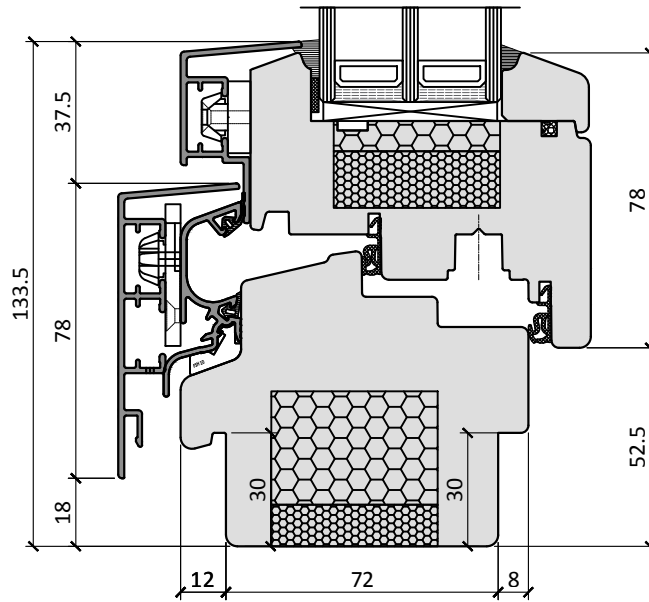
DEFAULT CILL PROFILE

OPTIONAL CILL PROFILES





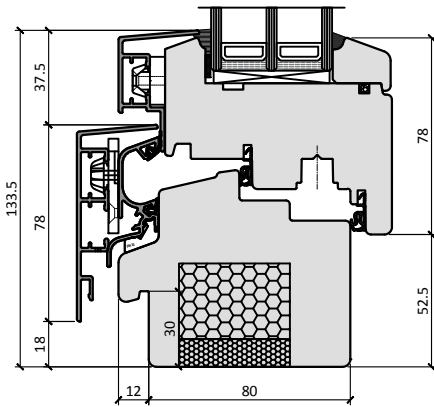
B92-8



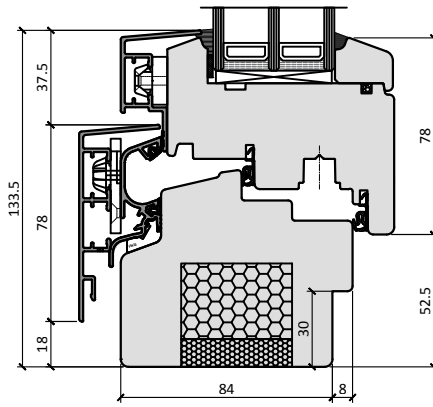
DEFAULT CILL PROFILE

OPTIONAL CILL PROFILES

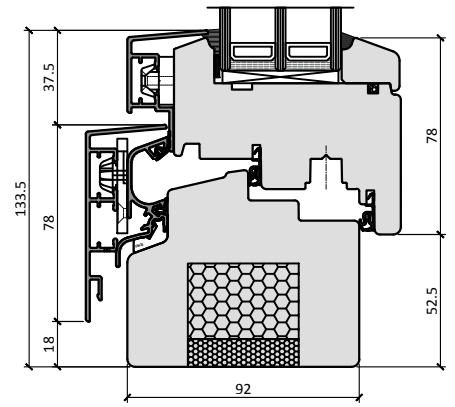
B92-8A



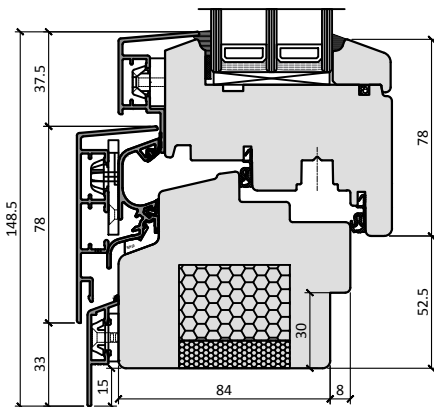
B92-8B



B92-8C



B92-8D



B92-8E

